



W5300 IP 3D Camera over Single Pair Ethernet “ToffeCam” Camera Part

19th August 2023

Jaroslav Juda

jarojuda@gmail.com

<https://github.com/jarojuda>

OV2640 Camera Module.....1
 Fig. 1. OV2640 Module schematics.....1

OV2640 Camera Module

The device is equipped with the OV264 camera module with a wide-angle lens.

The module needs two additional supply voltages 1.2V and 2.8V. The clock frequency of 24MHz is generated by the PWM output of the microcontroller.

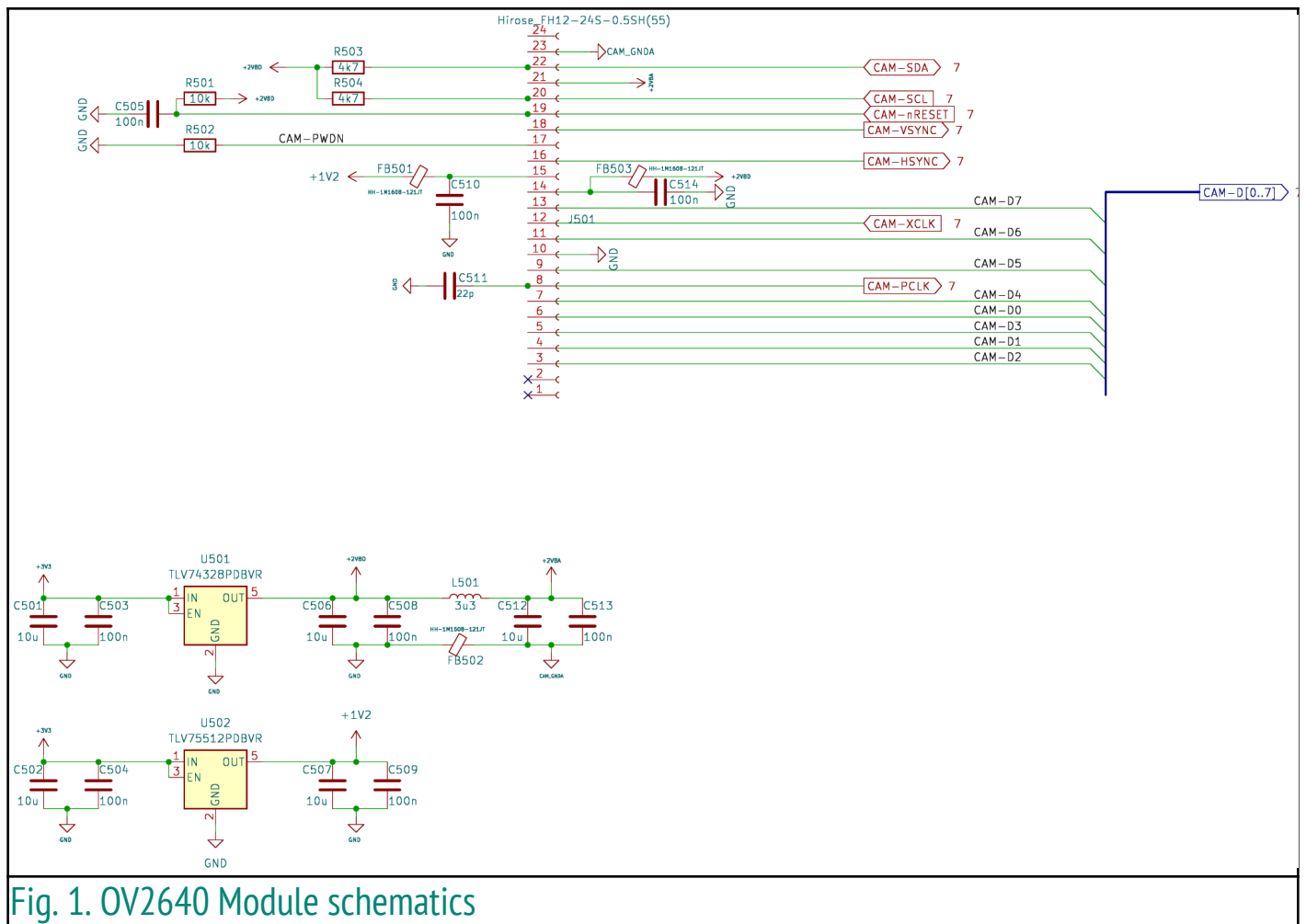


Fig. 1. OV2640 Module schematics